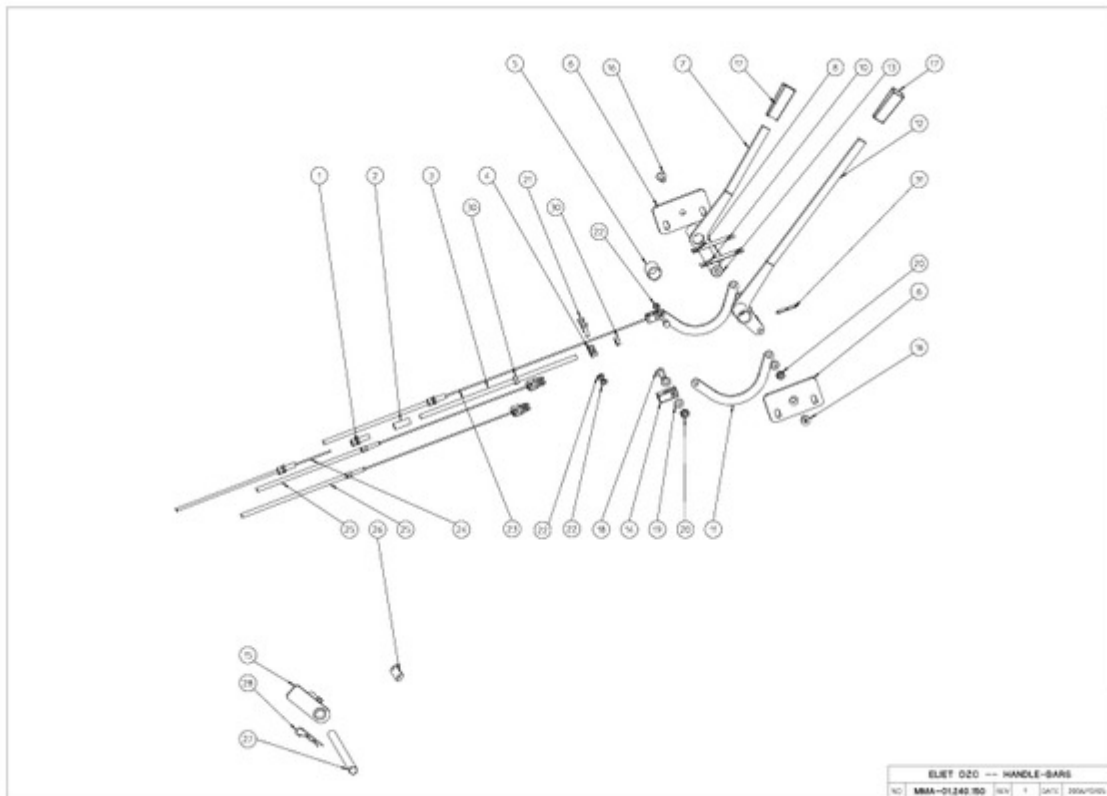
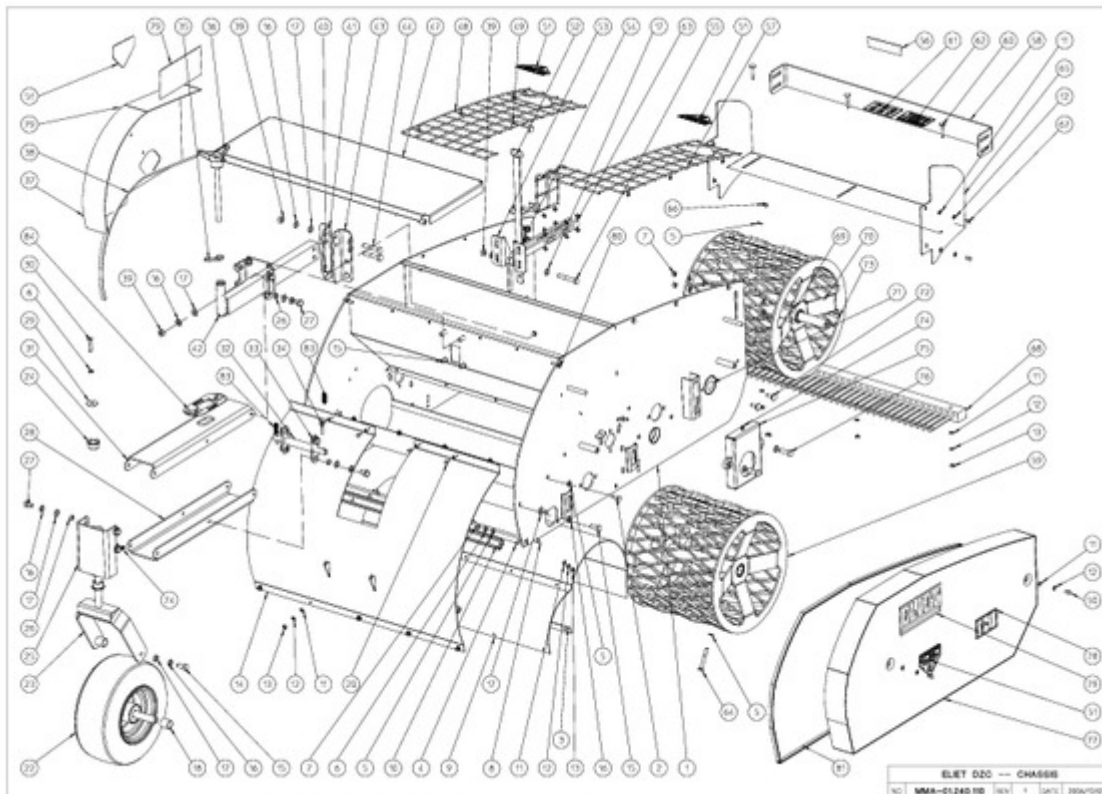


#	Order nr	Description	#
1	MMA 01 240 150	HANDLE-BARS	
2	MMA 01 240 110	CHASSIS	
3	MMA 01 240 130	ENGINE	
4	MMA 01 240 120	SEEDING	
5	MMA 01 240 140	DRIVING UNIT	
6	MMA 01 240 160	LIFTING	
7	MA 016 001 006	GAUGING RECEPTACLE DZC750	1

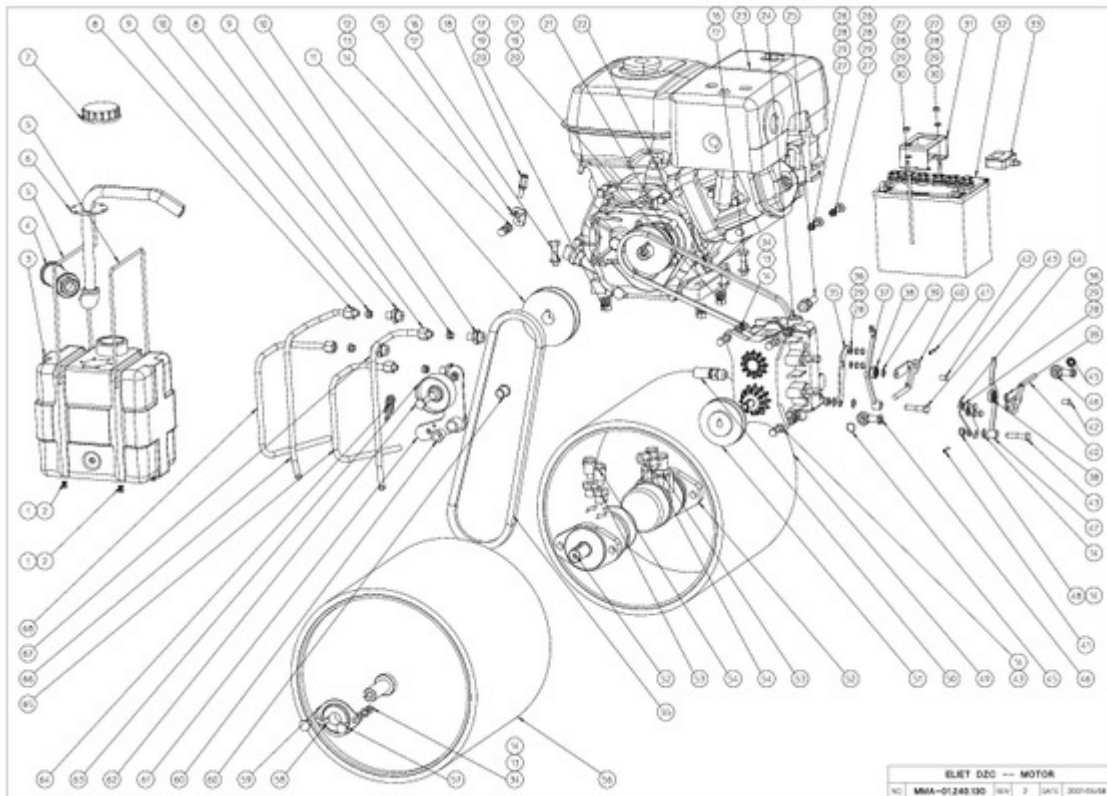


#	Order nr	Description	#
1	BK 610 100 800	CABLE SET SCREW M8X34	1
2	BS 508 200 824	NUT M8X24	1
3	BS 581 000 816	STUD M8X160 DIN 975	1
4	MPA 01 240 740	MOUNTING PIECE CABLE	1
5	MPA 01 240 780	SPACER BUSH CONTROLLERS	1
6	MPA 01 240 720	MOUNTING PLATE CONTROL UNIT	2
7	MPA 01 240 700	HANDLE BLADE SHAFT	1
8	BQ 501 160 080	STICKER ELIET DZC ON/OFF	1
10	BQ 501 160 090	STICKER ELIET DZC UP / DOWN	1
11	MPA 01 240 760	COUPLING PIECE CABLE-CONTROLLER	2
12	MPA 01 240 690	LIFT HANDLE	1
13	MPA 01 240 730	CONVENTIONAL AXLE CONTROL UNIT	1
14	MPA 01 240 750	MOUNTING PIECE CABLE	1
15	MPA 01 240 710	COUPLING PIECE SPRING	1
16	BS 522 100 820	SCREW M8X20 DIN 7991	2
17	BN 230 100 200	PLASTIC GRIP 15X6X60	2
18	BS 512 000 830	BOLT M8X30 DIN 933	3
19	BS 531 000 800	WASHER M8 DIN 125	6
20	BS 502 000 800	SELF LOCKING NUT M8 DIN 985	3
21	BS 512 000 620	BOLT M6X20 DIN 933	3
22	BS 502 000 600	SELF LOCKING NUT M6 DIN 985	3
23	BK 153 151 330	THROTTLE CONTROL + CABLE	1
24	BK 153 261 210	THROTTLE CONTROL + CABLE	1
25	BK 153 151 600	THROTTLE CONTROL + CABLE	2
26	MPA 01 240 800	MOUNTING PIECE CABLE	1
27	MPA 01 240 810	HINGE SHAFT	1
28	BB 040 102 040	HAIRPIN COTTER 2MM DIN 11024	1
30	BS 501 000 800	NUT M8 DIN 934	2
31			



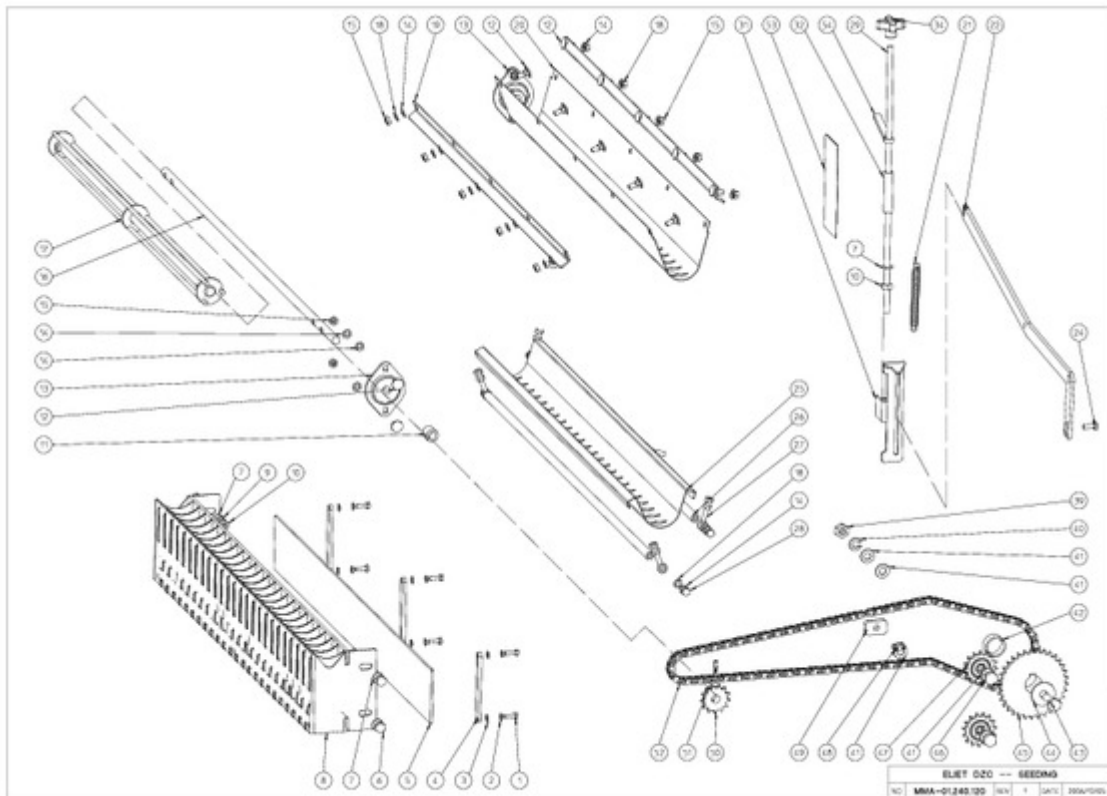
#	Order nr	Description	#
1	MPA 01 240 010	CHASSIS	1
2	BS 512 000 820	BOLT M8X20 DIN 933	2
3	MPA 01 240 130	SUPPORT COVERING	1
4			
5	BS 531 000 800	WASHER M8 DIN 125	20
6	BS 533 000 800	LOCK WASHER M8 DIN 127B	11
7	BS 501 000 800	NUT M8 DIN 934	10
8	BS 512 000 616	BOLT M6X16 DIN 933	6
9	BR 900 001 290	DEFLECTOR PVC	1
10	MPA 01 240 100	SUPPORT COVERING	1
11	BS 531 000 600	WASHER M6 DIN 125	27
12	BS 533 000 600	LOCK WASHER M6 DIN 127B	24
13	BS 501 000 600	NUT M6 DIN 934	18
14	MPA 01 240 050	PROTECTION FRONT	1
15	BS 512 001 025	BOLT M10X25 DIN 933	8
16	BS 533 001 000	LOCK WASHER M10 DIN 127B	24
17	BS 531 001 000	WASHER M10 DIN 125	32
18	MPA 01 240 470	WHEEL SPACER	2
20	BS 512 000 516	BOLT M5X16 DIN 933	4
22	BW 031 020 000	WHEEL 4.50-6	1
23	MPA 01 240 400	WHEEL FORK	1
24	BR 112 201 910	NYLON BUSHING WITH COLLAR (20.5/30/35x19/2.5)	2
25	MPA 01 240 390	FRONT PLATE HEIGHT CONTROL	1
26	MPA 01 240 450	FERRULE HEIGHT CONTROL	12
27	BS 512 001 016	BOLT M10X16 DIN 933	12
28	MPA 01 240 430	BOTTOM PLATE HEIGHT CONTROL	1
29	BS 532 008 306	WASHER M8X30X3	1
30	BS 511 000 835	BOLT M8X35 DIN 931	1
31	MPA 01 240 420	TOP PLATE HEIGHT CONTROL	1
32	MPA 01 240 370	LIFTING SHAFT	1
33	MPA 01 240 440	MOUNTING PIECE HEIGHT CONTROL	2
34	BK 610 100 600	CABLE SET SCREW M6X34	2
35	MPA 01 090 260	LOCKING HANDLE	1
36	BN 630 414 105	LOB KNOB 189-60 M14X200	1
37	MPA 01 240 030	COVER	1
38	BR 000 910 680	RUBBER U-MOULDING 680MM	1
39	BS 501 001 000	NUT M10 DIN 934	7
40	BS 554 100 620	BOLT M6X20 DIN 603	4
41	MPA 01 240 150	SUPPORT HEIGHT CONTROL RIGHT	1
42	MPA 01 240 380	BUSH HEIGHT CONTROL	1

43	MPA 01 240 160	SUPPORT HEIGHT CONTROL LEFT	1
44	BS 511 001 043	BOLT M10X55 DIN931	2
47	MPA 01 240 020	COVER	1
48	MPA 01 240 120	PROTECTION GRID RIGHT	1
49	MPA 01 240 190	POINT OF ATTACHMENT PROTECTION GRID	1
50	BS 512 000 610	BOLT M6X10 DIN 933	3
51	BQ 505 010 070	SAFETY STICKER 100X80 (HAND CUTS)	4
52	MPA 01 240 060	HOLDER CABLE	1
53	MPA 01 240 170	SUPPORT ENGINE RIGHT	1
54	MPA 01 240 180	SUPPORT ENGINE LEFT	1
55	BS 511 001 044	BOLT M10X60 DIN 931	1
56	BQ 505 010 010	IDENTITY STICKER CE 120X30	0
57	MPA 01 240 110	PROTECTION GRID LEFT	1
58	MPA 01 240 140	SUPPORT BACK	1
59	MPA 01 240 090	CRUSHING ROLLER RIGHT	1
60	BS 554 100 640	BOLT M6X40 DIN 603	3
61	BQ 505 010 050	SAFETY STICKER 60X100 (PICTOGRAM)	1
62	BQ 505 010 040	SAFETY STICKER 60X100 (SPARK PLUG)	1
63	MPA 01 240 790	SUPPORT MOTOR	1
64	BS 511 000 844	BOLT M8X60 DIN 931	2
65	MPA 01 240 070	BRUSH HOLDER	4
66	BS 502 000 800	SELF LOCKING NUT M8 DIN 985	2
67	BS 512 000 612	BOLT M6X12 DIN 933	4
68	BG 741 900 010	BRUSH	1
69	BS 512 000 825	BOLT M8X25 DIN 933	4
70	MPA 01 240 080	CRUSHING ROLLER LEFT	1
71	BL 801 102 500	BEARING + FLANGES ASPFL 205	2
72	BS 554 100 825	BOLT M8X25 DIN 603	4
73	BB 341 080 730	KEY 8X7X30 DIN 6880	1
74	BY 100 106 100	GREASE FITTING M6	2
75	MPA 01 240 500	PROTECTION GEAR BOX	1
76	BS 512 001 035	BOLT M10X35 DIN 933	2
77	MPA 01 240 040	CHAIN PROTECTION	1
78	BQ 505 010 150	SAFETY STICKER 60X100 (DISTANCE)	2
79	BQ 501 010 030	STICKER ELIET 200X90	2
80	BS 512 000 625	BOLT M6X25 DIN 933	2
81	BR 000 912 400	RUBBER U-MOULDING 2400MM	1
83	BV 001 010 040	SPRING 1X10X40	2
84	BQ 501 160 120	STICKER ELIET DZC HEIGHT REGULATION	1



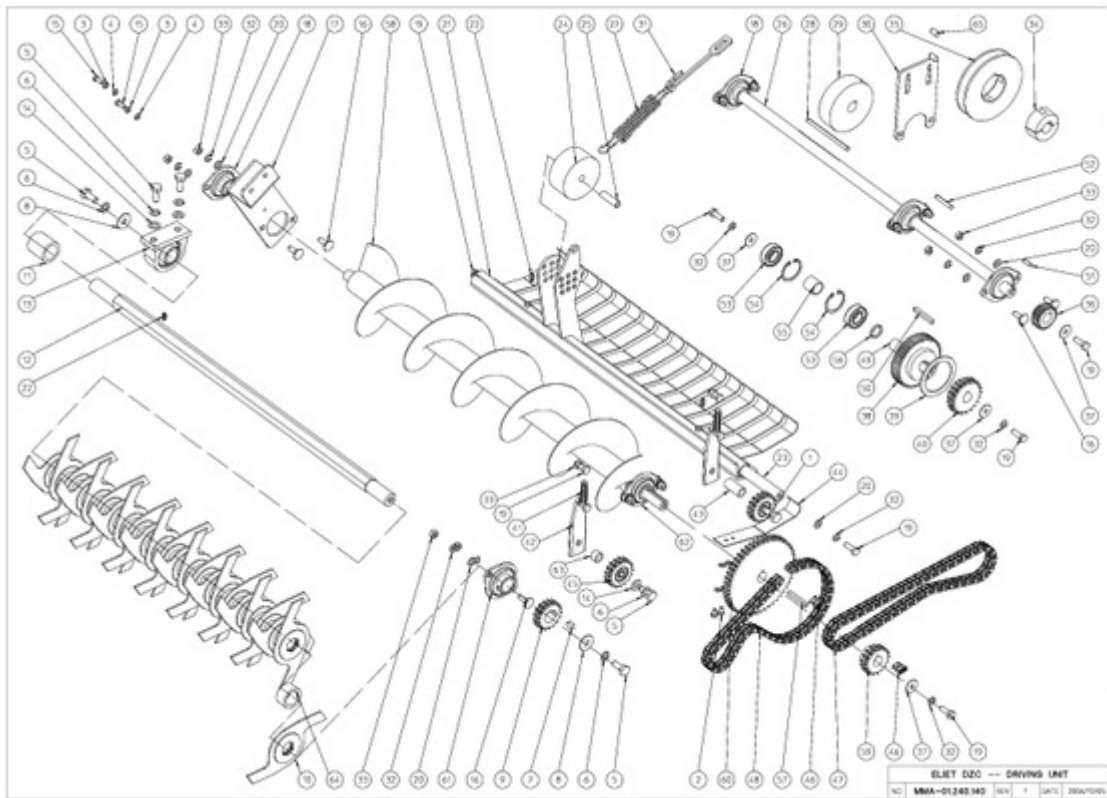
#	Order nr	Description	#
1	BS 502 000 500	SELF LOCKING NUT M5 DIN 985	4
2	BS 531 000 500	WASHER M5 DIN 125	4
3	BY 717 206 006	OIL TANK 6,5 L	1
4	BH 280 108 000	HYDRAULIC FILTER 1/2"	1
5	MPA 01 150 420	YOKE FUEL TANK	2
6	MPA 01 241 308	PIPE INTERIOR OIL TANK	1
7	BH 720 503 040	CAP FOR TANK	1
8	BH 508 121 000	NUT 10L	4
9	BH 508 821 000	CUTTING RING 10L	4
10	BH 509 291 019	MALE STUD COUPLING 10Lx3/4 UNF BO	4
11	BA 566 710 001	PULLEY SPB 100X25X7	1
12	BS 512 000 816	BOLT M8X16 DIN 933	1
13	BS 533 000 800	LOCK WASHER M8 DIN 127B	9
14	BS 531 000 800	WASHER M8 DIN 125	17
15	MPA 01 241 300	HOLDER CABLE GUIDE	1
16	BS 511 001 040	BOLT M10X40 DIN 931	4
17	BS 531 001 000	WASHER M10 DIN 125	8
18	BK 610 100 800	CABLE SET SCREW M8X34	1
19	BS 533 001 000	LOCK WASHER M10 DIN 127B	4
20	BS 501 001 000	NUT M10 DIN 934	4
21	BA 564 709 001	PULLEY SPZ 90X25X7	1
22	BA 522 608 500	BELT SPZ 850	1
23	BM 212 413 000	HONDA GX 390 LK RED:1/2	1
24	BH 240 907 001	VARIABLE DISPLACEMENT PUMP 2 x 7cc	1
25	BH 540 900 614	ADAPTER 9/16"UNF	1
26	BS 554 100 640	BOLT M6X40 DIN 603	2
27	BS 501 000 600	NUT M6 DIN 934	4
28	BS 531 000 600	WASHER M6 DIN 125	8
29	BS 533 000 600	LOCK WASHER M6 DIN 127B	8
30	BS 581 000 516	STUD M5X160 DIN 975	2
31	MPA 01 241 102	SUPPORT HOUR COUNTER	1
32	BE 240 120 240	BATTERY 12V 24AH	1
33	BE 412 730 400	MAINTENANCE METER	1
34	BS 501 000 800	NUT M8 DIN 934	8
35	MPA 01 241 305	FITTING SET POINT	1
36	BS 512 000 612	BOLT M6X12 DIN 933	4
37	MPA 01 241 297	CONTROL HANDLE PUMP	1
38	BL 000 802 203	BEARING EZO 608 ZZ	2
39	BS 036 000 810	PRECISION WASHER 14X8X1	2
40	MPA 01 241 271	CONTROL PUMP	2

41	BB 120 040 200	LOCKING 4X20 DIN 1481	2
42	MPA 01 241 321	BEARING SHAFT	2
43	BS 511 000 840	BOLT M8X40 DIN 931	6
44	MPA 01 241 306	FITTING SET POINT	1
45	BB 011 000 080	STARLOCK 8MM	2
46	BL 650 800 800	ROD ENDS DIN 648B	2
47	MPA 01 241 299	CONTROL HANDLE PUMP	1
48	BS 502 000 800	SELF LOCKING NUT M8 DIN 985	2
49	MPA 01 241 260	DRIVEN ROLLER RIGHT	1
50	MPA 01 241 320	NIPPLE	1
51	BA 564 708 501	PULLEY SPZ 85 12X1/8	1
52	BH 331 412 500	HYDRAULIC ENGINE EPM N 125CC	2
53	BH 514 100 804	REDUCTION STUD (M-F) 1/2"-1/4"	4
54	BH 513 111 004	BANJO 10Lx1/4"	4
55	BA 522 510 900	BELT LB 43	1
56	MPA 01 241 255	DRIVEN ROLLER LINKS	1
57	BS 554 100 825	BOLT M8X25 DIN 603	4
58	BB 351 080 730	KEY 8X7X30 DIN 6885A	3
59	BL 801 102 500	BEARING + FLANGES ASPFL 205	1
60	BR 112 152 100	NYLON BUSHING WITH COLLAR (15.4/18/23x21/1)	2
61	MPA 01 241 135	LEVER BELT TIGHTENER	1
62	BS 511 001 044	BOLT M10X60 DIN 931	1
63	BA 599 005 300	IDLER ROLLER Ø70	1
64	BV 914 000 030	SPRING	1
65	MPA 01 241 276	HYDRAULIC PIPE	1
66	MPA 01 241 277	HYDRAULIC PIPE	1
67	MPA 01 241 278	HYDRAULIC PIPE	1
68	MPA 01 241 275	HYDRAULIC PIPE	1



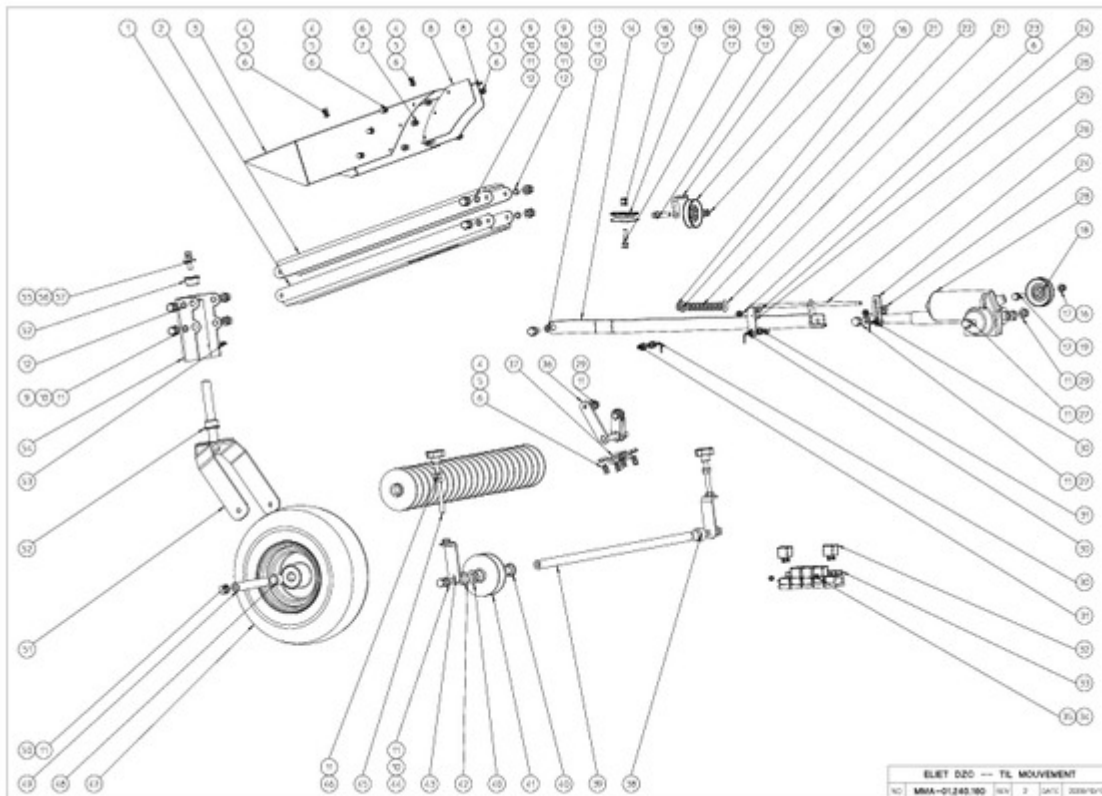
#	Order nr	Description	#
1	BS 512 000 516	BOLT M5X16 DIN 933	6
2	BS 533 000 500	LOCK WASHER M5 DIN 127B	6
3	BS 531 000 500	WASHER M5 DIN 125	6
4	MPA 01 240 360	MOUNTING PIECE CONTROL PLATE SOWING PIPES	3
5	MPA 01 240 350	CONTROL PLATE SOWING PIPES	1
6	BS 512 000 820	BOLT M8X20 DIN 933	4
7	BS 531 000 800	WASHER M8 DIN 125	11
8	MPA 01 240 240	SOWING PIPES	1
9	BS 533 000 800	LOCK WASHER M8 DIN 127B	4
10	BS 501 000 800	NUT M8 DIN 934	7
11	MPA 01 240 290	DISTANCE SLEEVE MIXER	1
12	BS 554 100 616	BOLT M6X16 DIN 603	14
13	BL 801 101 200	BEARING + FLANGES ASPFL 201	2
14	BS 531 000 600	WASHER M6 DIN 125	19
15	BS 501 000 600	NUT M6 DIN 934	22
16	MPA 01 240 280	DRIVEN SHAFT MIXER	1
17	MPA 01 240 220	MIXER	1
18	BS 533 000 600	LOCK WASHER M6 DIN 127B	15
19	MPA 01 240 340	PROTECTION SEED GATE	2
20	MPA 01 240 300	BOTTOM SEED RESERVOIR	1
21	BV 011 512 500	SPRING 1,5X12,5X110	1
22	MPA 01 240 270	LEVER SEED FLOW CONTROL	1
24	BS 512 000 516	BOLT M5X16 DIN 933	1
25	MPA 01 240 230	SEED GATE	1
26	MPA 01 240 320	AXLE SEED GATE	2
27	BS 551 000 646	EYE BOLT M6X70 DIN 444	4
28	BS 512 000 620	BOLT M6X20 DIN 933	4
29	BS 581 000 840	STUD M8X400 DIN 975	1
31	MPA 01 240 315	DOSAGE INDICATOR	1
32	MPA 01 240 305	BLOCKING BUSH	1
34	BN 630 808 400	LOB KNOB 188-40 M8	1
39	BS 501 001 000	NUT M10 DIN 934	1
40	BS 533 001 000	LOCK WASHER M10 DIN 127B	1
41	BS 531 001 000	WASHER M10 DIN 125	5
42	MPA 01 240 250	DISTANCE SLEEVE DRIVER GEAR	1
43	BS 512 001 035	BOLT M10X35 DIN 933	1
44	BS 532 010 305	WASHER M10X30X2.5	1
45	BA 161 033 251	SPROCKET SIMPLEX 3/8"X7/32" 33T	1
46	BS 512 001 025	BOLT M10X25 DIN 933	2
47	BA 198 010 150	IDLER 15T	2

48	BA 151 200 000	CONNECTING CHAIN LINK SIMPLEX 3/8"X7/32"	1
49	MPA 01 240 260	BLOCKING SCREW CHAIN TIGHTENER	1
50	BA 161 013 121	SPROCKET SIMPLEX 3/8"X7/32" 13T	1
51	BB 120 040 300	LOCKING 4X30 DIN 1481	1
52	BA 101 138 020	CHAIN SIMPLEX 3/8"X7/32" 138L	1
53	BQ 501 160 110	STICKER ELIET DZC VOLUME REGULATION	1
54	MPA 01 240 310	LOCKING HANDLE	1



#	Order nr	Description	#
1	MPA 01 240 650	LEAF SPRING RACK	18
2	BS 512 000 610	BOLT M6X10 DIN 933	36
3	BS 533 000 600	LOCK WASHER M6 DIN 127B	38
4	BS 531 000 600	WASHER M6 DIN 125	38
5	BS 512 001 025	BOLT M10X25 DIN 933	5
6	BS 533 001 000	LOCK WASHER M10 DIN 127B	5
7	BB 341 080 720	KEY 8X7X20 DIN 6880	1
8	BS 532 010 305	WASHER M10X30X2.5	2
9	BA 162 017 250	SPROCKET DUPLEX 3/8"X7/32" 17T	1
10	MPA 01 240 490	TWO TOOTHED BLADE	24
11	MPA 01 240 580	DISTANCE SLEEVE KNIFE SHAFT	1
12	MPA 01 240 570	BLADE SHAFT	1
13	BL 802 202 505	BEARING ASSEMBLY UCUP205	1
14	BS 531 001 000	WASHER M10 DIN 125	3
15	BS 512 000 616	BOLT M6X16 DIN 933	2
16	BS 554 100 825	BOLT M8X25 DIN 603	12
17	MPA 01 240 520	SUPPORT BEARING FOR SCREW	1
18	BL 801 102 001	BEARING + FLANGES ASPFL 204	4
19	BS 512 000 825	BOLT M8X25 DIN 933	10
20	BS 531 000 800	WASHER M8 DIN 125	15
21	MPA 01 240 510	RACK HOLDER	1
22	BY 100 106 100	GREASE FITTING M6	3
23	MPA 01 240 610	AXLE RACK	1
24	BW 108 512 000	WHEEL 80/40-38	1
25	MPA 01 240 630	AXLE ROLLER	1
26	MPA 01 240 600	PRIMARY AXLE	1
27	BV 915 000 010	SPRING WITH LIMITER	1
28	BB 341 060 661	KEY 6X6X61 DIN 6880	1
29	MPA 01 240 620	ECCENTRIC RACK	1
30	MPA 01 240 560	SUPPORT BEARING PRINCIPAL AXLE	1
31	MPA 01 240 640	CATCH FOR SPRING	1
32	BS 533 000 800	LOCK WASHER M8 DIN 127B	18
33	BS 501 000 800	NUT M8 DIN 934	14
34	BB 501 132 000	TAPER LOCK TL 1610-20	1
35	BA 563 712 501	PULLEY SPB 125 FOR TAPER LOCK TL1610	1
36	BA 602 002 102	GEAR M2 21T	1
37	BS 532 008 254	WASHER M8X25X2	4
38	BA 602 004 802	GEAR M2 48T	1
39	BH 820 203 020	GASKET	1
40	BA 162 021 200	SPROCKET DUPLEX 3/8"X7/32" 21T	1

41	BV 912 000 010	RECALL SPRING	2
42	MPA 01 240 530	SLIDE CHAIN TIGHTENER	2
43	MPA 01 240 550	SPACER BUSH CHAIN TIGHTENER	1
44	BS 511 001 042	BOLT M10X50 DIN 931	1
45	BA 198 020 170	IDLER 17T	2
46	BA 152 200 000	CONNECTING CHAIN LINK DUPLEX 3/8"X7/32"	2
47	BA 102 086 020	CHAIN DUPLEX 3/8"X7/32" 86L	1
48	BA 102 078 020	CHAIN DUPLEX 3/8"X7/32" 78L	1
49	MPA 01 240 660	COUNTERSHAFT GEARBOX	1
50	BB 341 060 656	KEY 6X6X56 DIN 6880	1
51	BB 341 060 618	KEY 6X6X18 DIN 6880	1
52	BB 341 060 646	KEY 6X6X46 DIN 6880	1
53	BL 002 004 203	BEARING 6004 ZZ	2
54	BB 002 000 420	RETAINING RING 42 DIN 472	2
55	MPA 01 240 680	BEARING SPACER GEARBOX	1
56	MPA 01 240 670	SPACER RING GEAR CHASSIS	1
57	BB 341 060 653	KEY 6X6X53 DIN 6880	1
58	MPA 01 240 480	CONVEYOR SCREW	1
59	BA 162 017 200	SPROCKET DUPLEX 3/8"X7/32" 17T	1
60	BA 162 050 200	SPROCKET DUPLEX 3/8"X7/32" 50T	1
61	BL 801 102 502	BEARING + FLANGES UCPFL 205	1
62	BL 801 102 002	BEARING + FLANGES UCPFL 204	1
63	MPA 01 240 540	SPACER BUSH CHAIN TIGHTENER	1
64	MPA 01 240 590	DISTANCE SLEEVE FOR BLADES	23
65	BB 501 310 160	SET SCREW 3/8"X5/8"	2



#	Order nr	Description	#
1	MPA 01 241 104	MOUNTING FRONT WHEEL	1
2	MPA 01 241 103	TOP PLATE MOUNTING FRONT WHEEL	1
3	MPA 01 241 126	PROTECTION FRONT	1
4	BS 512 000 616	BOLT M6X16 DIN 933	12
5	BS 533 000 600	LOCK WASHER M6 DIN 127B	12
6	BS 531 000 600	WASHER M6 DIN 125	20
7	BS 501 000 600	NUT M6 DIN 934	6
8	MPA 01 241 039	PROTECTION RUBBER FRONT WHEEL	2
9	BS 512 001 016	BOLT M10X16 DIN 933	8
10	BS 533 001 000	LOCK WASHER M10 DIN 127B	12
11	BS 531 001 000	WASHER M10 DIN 125	20
12	MPA 01 240 450	FERRULE HEIGHT CONTROL	9
13	BS 512 001 030	BOLT M10X30 DIN 933	1
14	MPA 01 241 145	LIFTING ROD	1
16	BS 502 000 800	SELF LOCKING NUT M8 DIN 985	4
17	BS 531 000 800	WASHER M8 DIN 125	6
18	BA 599 004 300	IDLER ROLLER Ø66	3
19	BS 512 000 840	BOLT M8X40 DIN 933	3
20	MPA 01 241 287	HOLDER CABLE GUIDE	1
21	BR 112 100 600	NYLON BUSHING WITH COLLAR (10/13.5/25x6/2.5)	2
22	BV 918 000 020	SPRING	1
23	BS 502 000 600	SELF LOCKING NUT M6 DIN 985	2
24	BS 554 100 620	BOLT M6X20 DIN 603	2
25	MPA 01 241 288	CABLE PULLER	1
26	MPA 01 241 225	HOLDER CONTACT	2
27	BS 511 001 040	BOLT M10X40 DIN 931	2
28	BA 700 100 100	LINEAR MOTOR	1
29	BS 502 001 000	SELF LOCKING NUT M10 DIN 985	3
30	BE 400 010 100	REED CONTACT	3
31	BE 400 010 101	MAGNET	2
32	BE 160 013 000	REVERSING RELAY 12V	5
33	BE 160 011 000	RELAY BODY (9 POLES)	5
34	BS 522 500 508	SCREW M5X8 ISO 7380	2
35	BS 531 000 500	WASHER M5 DIN 125	2
36	MPA 01 241 140	CRANK LEVER	1
37	MPA 01 241 146	CARRIER	2
38	MPA 01 241 240	SPACER BUSH HEIGHT CONTROL	1
39	MPA 01 241 239	CARRYING AXLE HEIGHT CONTROL	1
40	BR 112 201 500	NYLON BUSHING WITH COLLAR (20/24/30x15/2)	24
41	MPA 01 241 238	ROLLER	1

42	MPA 01 241 241	DISTANCE PLATE HEIGHT CONTROL	1
43	MPA 01 241 313	SUPPORT ROLLER	2
44	BS 511 001 042	BOLT M10X50 DIN 931	2
45	BN 630 210 500	LOB KNOB 189-50 M10X120	2
46	BS 501 001 000	NUT M10 DIN 934	2
47	BW 031 020 000	WHEEL 4.50-6	1
48	MPA 01 240 470	WHEEL SPACER	2
49	MPA 01 240 460	WHEEL SHAFT	1
50	BS 512 001 025	BOLT M10X25 DIN 933	2
51	MPA 01 240 400	WHEEL FORK	1
52	BR 112 201 910	NYLON BUSHING WITH COLLAR (20.5/30/35x19/2.5)	2
53	BY 100 106 100	GREASE FITTING M6	1
54	MPA 01 241 311	FRONT PLATE FRONT WHEEL	1
55	BS 511 000 835	BOLT M8X35 DIN 931	1
56	BS 533 000 800	LOCK WASHER M8 DIN 127B	1
57	BS 532 008 306	WASHER M8X30X3	1